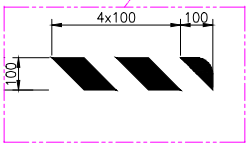
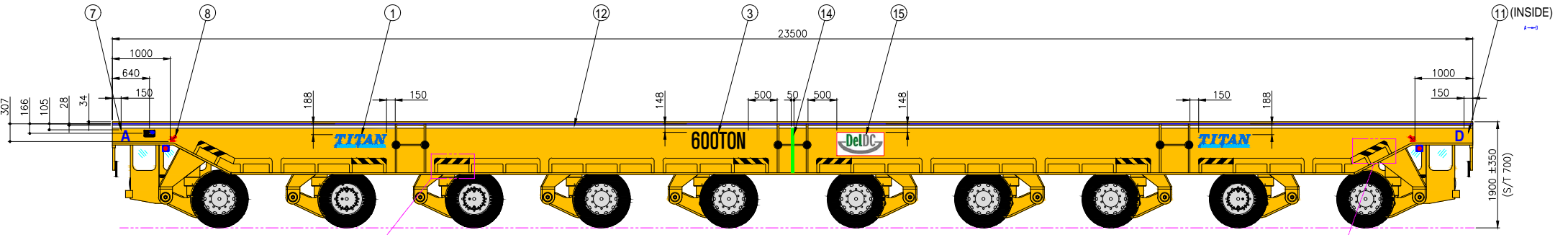
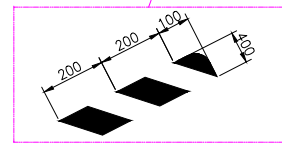


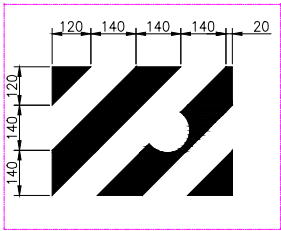
NO.	DATE	REVISION & DESCRIPTION	SIGNATURE	SUB CODE



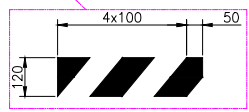
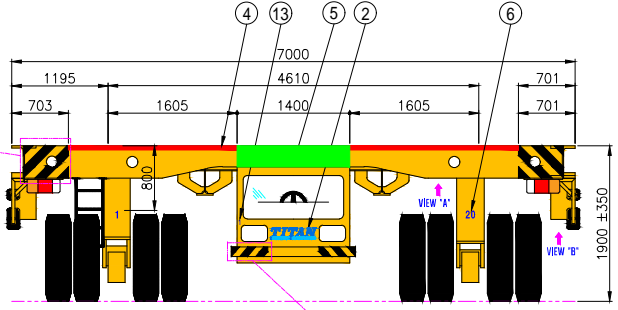
BLOCK GUIDE TIGER MARK 1 6SET



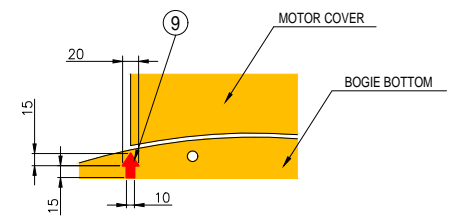
BLOCK GUIDE TIGER MARK 2 2SET



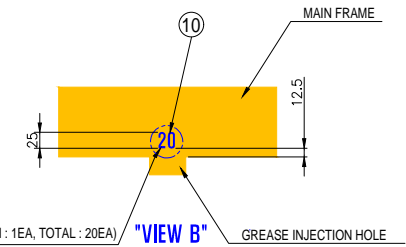
BLOCK GUIDE TIGER MARK 3 4SET



CABIN BUMPER TIGER MARK 4SET



"VIEW A"



"VIEW B"

MARKING LIST

No.	Contents	Position	Q'ty
1	TITAN Logo (Big Size)	TP Side	4
2	TITAN Logo (Small Size)	TP Front	2
3	Transporter TON(Big Size)	TP Side	2
4	Front Upper Line	TP Front	2
5	Center Mark	TP Front	2
6	Axle Number (Big Size)	Each Axle	20
7	Group A, B, C, D	TP Side	1 Set
8	Emergency Stop Switch	TP Side	4
9	Poti Center Position Mark	Bogie Bottom	20
10	Axle number (small size)	Grease Injec. hole	20
11	Group Direction Check Mark	T/P in side	4
12	Side Line	TP Side	2 Set
13	Cabin 1, 2	Cabin Front	1 Set
14	Center Mark	TP Side	2
15	Client Logo	TP Side	2

NO.	DESCRIPTION	REMARKS	NO.	DESCRIPTION	REMARKS	NO.	DESCRIPTION	REMARKS	
FIRST USE : DC 01			Ra In Ho Co., Ltd.			SCALE	1/34	PROJECTION	④
TITAN ELEVATING TRANSPORTER			MARKING DIAGRAM			SIZE	A1	DIMENSION	mm
All rights reserved. This drawing is the property of Ra In Ho Co., Ltd. and may not be copied or multiplied wholly nor partly. It may not be submitted for perusal to third parties either.			DRAWN			CHECKED	REVIEWED	APPROVED	SYSTEM TYPE
DATE			DATE			DATE			SSC 600.20.06/12
SIGNATURE			CONSULTANT			EQUIP. TYPE			SSC 600.20.06/12
L.H.N			C.K.S			D.W.G.			DC 01
19.12.20			19.12.20			NO.			M01.1.0.1